



ECOsurfaces Rolls and Tiles

Technical Manual

Installation · Maintenance · Warranty

Manufactured in the U.S.A.

Revised on 31Jan2022
Supersedes all previous versions.
Check website for updates.

Installation

Job Site Conditions	2
Subfloors	2
Subfloor Preparation	2
Storage & Handling	3
Roll Installation	4
Tile Installation	7
ECOcomfort Installation	8

Maintenance

Floor Protection	8
Cleaning – Uncoated ECOsurfaces	9
Cleaning – ECOguard Coated ECOsurfaces	10
LOBADUR® 2K InvisibleProtect	12
Prep & Application	12
Cleaning	13
Stripping	14

Warranty

Warranty	15
----------	----

Installation

I. JOB SITE CONDITIONS

- A. Installation should not begin until after all other trades are finished in the area. If the job requires other trades to work in the area after the installation of the floor, the flooring should be protected with an appropriate cover.
- B. Areas to receive flooring should be weather tight and maintained at a minimum uniform temperature of 65° F (18° C) for 48 hours prior to, during, and after installation.

II. SUBFLOORS

- A. ECOsurfaces Rolls and Tiles and ECOcomfort rolls may be installed over concrete, Portland based patching and self-leveling materials, and wood.
Note: Gypsum based patching and leveling compounds are not acceptable.
Note: The selected Portland-based patching and self-leveling materials must be moisture resistant and rated to withstand the RH moisture levels on the project.
- B. Wood Subfloors: Wood subfloors should be double construction with a minimum thickness of 1". The floor must be rigid, free from movement, and have at least 18" of well-ventilated air space below.
- C. Underlayments: The preferred underlayment panel is APA underlayment grade plywood, minimum thickness of 1/4", with a fully sanded face.
Note: Particle board, chip board, Masonite, and lauan are not considered suitable underlayments.
- D. Concrete Floors: Concrete shall have a minimum compressive strength of 3000 psi. It must be fully cured and permanently dry.

III. SUBFLOOR REQUIREMENTS AND PREPARATION

- A. Subfloor shall be dry, clean, smooth, level, and structurally sound. It should be free of dust, solvent, paint, wax, oil, grease, asphalt, sealers, curing and hardening compounds, alkaline salts, old adhesive residue, and other extraneous materials, according to ASTM F710.
- B. Subfloor should be smooth to prevent irregularities, roughness, or other defects from telegraphing through the new flooring. The surface should be flat to 3/16" (4.8 mm) in 10 feet (3.0 m).
- C. Mechanically remove all traces of old adhesives, paint, or other debris by scraping, sanding, or scarifying the substrate. Do not use solvents. All high spots shall be ground level and low spots filled with an approved cementitious based patching compound.
- D. All saw cuts (control joints), cracks, indentations, and other non-moving joints in the concrete must be filled with an approved cementitious based patching compound.
- E. Expansion joints in the concrete are designed to allow for expansion and contraction of the concrete. If a floor covering is installed over an expansion joint, it more than likely will fail in that area. Expansion joint covers designed for resilient floor coverings should be used.
- F. Always allow patching materials to dry thoroughly and install according to the manufacturer's instructions. Excessive moisture in patching material may cause bonding problems or a bubbling reaction with adhesive.

HAZARDS:

SILICA WARNING - Concrete, floor patching compounds, toppings, and leveling compounds can contain free crystalline silica. Respirable crystalline silica (particles 1-10 micrometers) can be produced by cutting, sawing, grinding, or drilling. Respirable silica is classified by OSHA as an IA carcinogen and is known to cause silicosis and other respiratory diseases. Avoid actions that cause dust to become airborne. Use local or general ventilation, or protective equipment, to reduce exposure below applicable exposure limits.

ASBESTOS WARNING - Resilient flooring, backing, lining felt, paint, or asphaltic “cutback” adhesives can contain asbestos fibers. Avoid actions that cause dust to become airborne. Do not sand, dry sweep, dry scrape, drill, saw, beadblast, or mechanically chip or pulverize. Regulations may require that the material be tested to determine asbestos content. Consult the documents titled, “Recommended Work Practices for Removal of Existing Resilient Floor Coverings,” available from the Resilient Floor Covering Institute.

LEAD WARNING - Certain paints can contain lead. Exposure to excessive amounts of lead dust presents a health hazard. Refer to applicable federal, state, and local laws and the publication, “Lead Based Paint: Guidelines for Hazard Identification and Abatement in Public and Indian Housing,” available from the United States Department of Housing and Urban Development.

- G. Moisture must be measured using the RH Relative Humidity test method per the ASTM F2170 test standard. Moisture content should not exceed the allowable limit of the selected adhesive. The selected Portland-based patching and self-leveling materials must be moisture resistant and rated to withstand the RH moisture levels on the project.
- a. E-Grip III – RH limit of 85% – normally selected
 - b. E-Grip 95 – RH limit of 95% – higher RH applications
 - c. E-Grip 99 – RH limit of 99% – highest RH applications

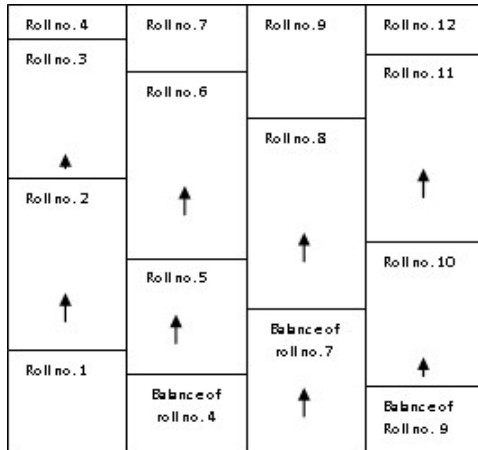
If RH levels exceed the selected adhesive’s RH limit, stop and correct situation.

- H. In the event that a moisture mitigation system is required, it must conform to the ASTM F3010 Standard Practice for Two-Component Resin Based Membrane Forming Moisture Mitigation Systems for use Under Resilient Floor Coverings.
- I. Perform pH tests on all concrete floors. If greater than the allowable limit of the selected adhesive, neutralize prior to installation.
- J. Adhesive bond tests should be conducted in several locations throughout the area. Glue down 3’ x 3’ test pieces of the flooring with the recommended adhesive and trowel. Allow to set for 72 hours before attempting to remove. A sufficient amount of force should be required to remove the flooring and, when removed, there should be adhesive residue on the subfloor and on the back of the test pieces.

IV. Material Storage and Handling

- A. Material should be delivered to job site in its original, unopened packaging with all labels intact.
- B. Note: Shipping pallets, cradles, banding, etc. are not intended for storage. After 7 days, remove material from shipping pallets, cradles, etc. Rubber roll material should always be stored laying down; Storing rubber rolls on end will curl the edges resulting in permanent memory of the material. All edges with memory curl must be straight edge cut before installation.
- C. Material should only be stored inside on a clean, dry, smooth surface. Rolls should be stored with the end of the roll on top, facing up. The end of the roll should not be positioned against an adjacent roll or surface, or welts may be created on that roll and the roll below.
- D. Roll material is stretched slightly during the manufacturing process. At the job site, the installer should unroll all rolls and allow to relax overnight. A bare minimum of two hours is required. Shaking the material once it is unrolled can help it to relax.
- E. **Inspect all materials for visual defects before beginning the installation. No labor claim will be honored on material installed with visual defects. Verify the material delivered is the correct style, color, and amount. Any discrepancies must be reported immediately before beginning installation.**

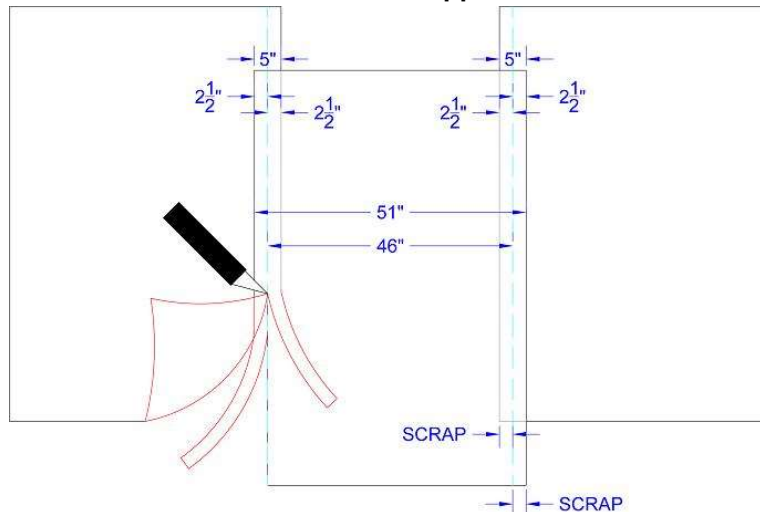
- F. The material and adhesive must be acclimated at room temperature for a minimum of 48 hours before starting installation.
- G. All ECOsurfaces rolls must be unrolled and installed in consecutive roll number order and in the same direction. Rolls are labeled with batch numbers and roll numbers. Do not mix batch numbers. Note “This Side Down” stamp at the beginning of the roll.
- H. **Note:** Custom roll lengths eliminate the possibility of rolls being manufactured and numbered in customer’s desired installation sequence, and Ecore cannot be responsible for any resulting shading issues.



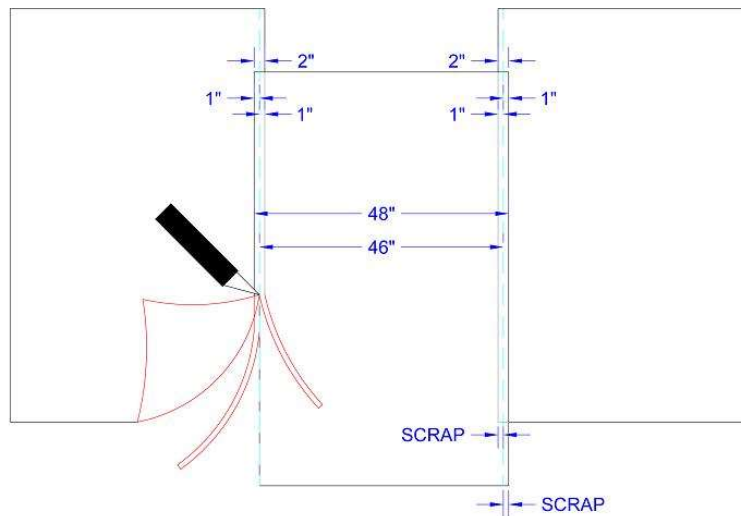
V. INSTALLATION - 3.2mm Rolls only. (For 6mm and thicker Rolls, skip to page 6.)

- A. Cut the first sheet at the required length, including enough to run up the wall and overlap for seaming at each end.
- B. Position the first sheet against the wall and square with the room.
- C. Cut second sheet with proper extra length.
- D. Position second sheet with required overlap over the first roll at the seam. Each 48” roll must be overlapped by 2” and 51” rolls must be overlapped by 5” minimum. Failure to comply with required overlap could result in shade variance between rolls.
- E. **IMPORTANT** - Overlap is dependent upon the width of material provided; see below.
- F. Repeat for each consecutive sheet for those rolls that will be installed that day.
- G. Allow rough cuts to relax in position for 2 hours before double cutting seams and gluing.
- H. **SEAMING METHODS 3.2mm only.** (For 6mm, 8mm and 9mm skip to Page 6.)
- I. **For 3.2mm and thinner:** Place a 4” wide scrap of material under the seam area. Using a straight edge and new razor blade, hold the knife straight up and down and cut through both pieces in one cut. **PLEASE NOTE THE OVERLAP AND DOUBLE CUT FOR THE 3.2mm PER THE DRAWINGS BELOW:**

51" Wide Rolls must be overlapped a minimum of 5"



48" Wide Rolls must be overlapped a minimum of 2"



VI. INSTALLATION - Rolls 6mm and thicker material

- A. Make the assumption that the walls you are butting against are not straight or square. Using a chalk line, make a starting point for an edge of the flooring to follow. The chalk line should be set where the first seam will be located.
- B. Remove the flooring from the shrink wrap and unroll it onto the floor. Lay the rubber on the floor in a way that will use your cuts efficiently. Cut all rolls at the required length, including enough to run up the wall a few inches.
- C. If end seams are necessary, they should be staggered on the floor and overlapped approximately 3-6". End seams will be trimmed after acclimation period, using a square to ensure they fit tightly without gaps.
- D. Allow the rough cuts to relax in position for a minimum of two hours. 24 hours is preferred.
- E. After allowing the flooring to relax, you may begin the installation.
- F. Align first edge to chalk line. **Note: it is very important the first seam is perfectly straight.**

- G. Position the second roll with no more than a 1/8" overlap over the first roll at the seam. After adhesive is applied to substrate, the material will be worked back to eliminate the overlap. This procedure will leave tight seams and eliminate any gaps.
- H. Care should be taken to not over compress the seam. Over compressed seams will cause peaking.

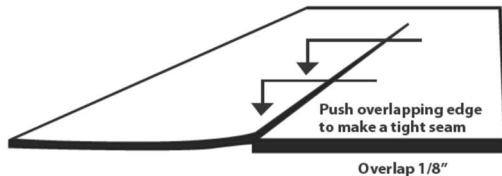


diagram 3

- I. It may be necessary to trim the edge of the second linear drop, if the rolls do not extend the length or width of the room. Rolls laid end-to-end with a variance in roll width greater than 1/4" could result in peaked seams.
- J. Repeat for each consecutive sheet necessary to complete the area or those rolls that will be installed that day.

VII. ADHESIVE APPLICATION

- A. After all above procedures are performed, begin application of E-Grip III, **making sure to use the proper recommended trowel size:**
 - 3.2mm – 1/16" x 1/32" x 1/32" U-Notched Trowel
 - 6mm, 8mm and 9mm – 1/16" x 1/16" x 1/16" Square Notched trowel
- B. Fold the first drop lengthwise (half the width of the roll).
- C. Spread adhesive using the proper notched trowel. Take care not to spread more E-Grip III than can be covered by flooring and rolled within 30 minutes. The open time of the adhesive is 30 - 40 minutes at 70° F and 50% relative humidity.
- D. Note: The open time of adhesive is affected by temperature and humidity. High temperatures and high humidity will cause the adhesive to set quickly. Low temperatures and low humidity will cause adhesive to cure at a slower rate. The installer should monitor on-site conditions and adjust open time accordingly.
- E. Carefully lay the material into the wet adhesive. DO NOT let the material drop, because this will cause air to be trapped beneath the flooring.
- F. Immediately roll the floor with a 75-pound or 100-pound roller to ensure proper transfer of adhesive. Overlap each pass of the roller by 50% of the previous pass to ensure that the floor is properly rolled. Roll the width first, then the length. Re-roll again after 30-45 minutes.
- G. Fold over second half of first roll and first half of second roll. Spread adhesive. Spread adhesive at 90 degrees to seam to eliminate excessive adhesive coming up at seam.
- H. In some instances, it may be necessary to weigh down the seam until the adhesive develops a firm set.
- I. Continue the process for each consecutive drop. Always work at a pace so you are always folding material back into wet adhesive.

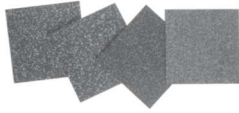
NOTE: Never leave adhesive ridges or puddles; they will telegraph through the material.
- J. **Do not allow E-Grip III to cure on your hands or the flooring; we strongly suggest wearing gloves while using E-Grip III. Cured adhesive is very difficult to remove from floor.**

Immediately wipe off excess adhesive with a rag slightly dampened with mineral spirits. Follow the mineral spirits with a rag dampened with water to remove the mineral spirits.

NOTE: Use mineral spirits sparingly. Saturating the rubber with mineral spirits may cause the adhesive to be pushed too deeply into the pores of the rubber.

- K. Hand roll all seams after the entire floor has been rolled. If some seams are gapping, it is possible to hold them together temporarily with blue painter's tape. **Tape should be removed after adhesive has developed a firm set (approximately 2-3 hours). Allowing tape to remain longer than 2-3 hours or using aggressive tapes may result in adhesive residue. ECOsurfaces will not be responsible for residue left behind from tape of any kind.**

VIII. INSTALLATION - TILES



- A. Inspect tiles for visual defects, including shade variances prior to beginning the installation. No labor claim will be honored on material installed with visual defects. Any moderate to severe discrepancies should be reported immediately before beginning installation.
- B. ECOsurfaces tiles are manufactured from recycled materials and slight variance in shade and color chip dispersion is normal. It is the installer's responsibility to lay out tiles prior to installation and inspect them to ensure correct style, thickness, and color.
- C. Tiles manufactured from mats are intended for smaller installations. Larger quantities resulting in multiple dye lots may not be an exact match in shade or density. Every effort is made to ensure best possible match; however, **ECOsurfaces makes no warranty on exact match between dye lots.**
- D. All ECOsurfaces tiles must be installed from the same product group. Mixing multiple patterns may result in an out-of-square installation.
- E. **All tiles are marked on the bottom with arrows, WHICH MUST ALL POINT IN THE SAME DIRECTION. Failure to do so will result in an out- of-square installation.**
- F. Sweep area clear of all dust and loose debris.
- G. It is customary to begin tile installations from the center of the room.
- H. Determine a starting point for the first course of tile to best suit the site area. Because most walls are not straight or corners square, tile installation generally starts in the middle of the room, so measure the width and length of the space, divide the room into 4 equal quadrants and snap chalk lines that are perpendicular (90 degrees) to each other.
- I. Tiles must be installed in the same direction. Directional markings stamped on the bottom of the tiles must point in the same direction.
- J. Place the first tile's edges where the two perpendicular chalk lines meet.
- K. Hint: Adjust the starting point to balance the tiles side-to-side to not end up with small cuts of tile against the walls.
- L. After above procedures are performed, begin application of E-Grip III, **making sure to use the proper recommended trowel size.**
- 3.2mm – 1/16" x 1/32" x 1/32" U-Notched Trowel
 - 6mm, 8mm and 9mm – 1/16" x 1/16" x 1/16" Square Notched trowel
- M. Do not spread more adhesive than can be covered by flooring and rolled within 30 minutes.
- N. Place first tile into the wet adhesive precisely placed along the chalk lines and where they intersect and press firmly on tiles to remove any curls & entrapped air. Do not stretch or compress tiles.

Remember: Arrows on bottom of tiles must point in the same direction.

- O. Lay whole tiles along chalk lines up to wall. Cut last tile to fit against wall.
- P. **Do not allow E-Grip III to cure on your hands or the flooring; we strongly suggest wearing gloves while using E-Grip III. Cured adhesive is very difficult to remove from floor. Immediately wipe off excess adhesive with a rag slightly dampened with mineral spirits. Follow the mineral spirits with a rag dampened with water to remove the mineral spirits. NOTE: Use mineral spirits sparingly. Saturating the rubber with mineral spirits may cause the adhesive to be pushed too deeply into the pores of the rubber.**
- Q. If some seams are gapping, it is possible to hold them together temporarily with blue painter's tape. **Tape should be removed after adhesive has developed a firm set (approximately 2-3 hours). Allowing tape to remain longer than 2-3 hours or using aggressive tapes may result in adhesive residue. ECOsurfaces will not be responsible for residue from tape of any kind.**
- R. Roll floor with 100 lb. roller to ensure proper transfer of adhesive. Overlap each roller pass by 50% to ensure that floor is properly rolled. Re-roll again after 30-45 minutes.
- S. After rolling, keep all foot traffic off the floor for a minimum of 24 hours. Floor should be free from rolling loads for a minimum of 72 hours. Foot traffic and rolling loads can cause permanent indentations or debonding in the uncured adhesive.

XI. ECOcomfort

- A. Installation under ECOsurfaces
 - 1. Please refer to the ECOfit and ECOfit Plus Field-Laminated Tech Manual.
- B. Installation by itself under other's material
 - 1. See Rolls installation instructions above.
- C. Installation Under Carpet
 - 1. Complete Glue Down
 - a. See Rolls installation instructions above.
 - b. Adhere carpet to ECOcomfort using carpet manufacturer's recommended adhesive or tape.
 - 2. Installation With (Wall-To-Wall) Tack Strips
 - a. Install tack strips.
 - b. Install ECOcomfort up to strips.
 - c. Install carpeting over ECOcomfort following carpet manufacturer's recommended wall-to-wall installation instructions.

Maintenance

Important information for the specifier

ECOsurfaces recommends our environmentally friendly line of maintenance products, including E-Cleaner.

Proper protection and maintenance of flooring post-installation should be specified by the architect/designer. ECOsurfaces products must not be subjected to construction debris and damage from construction activities. The specifier should include details to protect the floor until job and construction are complete and floor is thoroughly cleaned.

Areas of the flooring that are subject to direct sunlight through doors or windows shall have the doors or windows covered for such time until the installation of the material is complete.

Assignment of cleaning and maintenance

The specifier should determine and assign the responsibility for the initial cleaning. This responsibility should be specifically assigned to the flooring contractor, general contractor, maintenance contractor or owner.

Cleaning and Finishing – UNCOATED ECOsurfaces

Steps	Cleaner and Stripper	Dilution	Diluted Coverage	Pads & Brushes
Initial Cleaning (uncoated)	E-Cleaner	10 oz./gal. water	2,000 sq. ft./gal.	Microfiber mop, Soft Nylon Brush or 3M 5100 Red pad or equal
Finishing	E-Finish	None	1,500 sq. ft./gal.	Apply E-Finish with microfiber mop
Daily Cleaning (uncoated)	E-Cleaner	2-4 oz./gal. water	6,000 sq. ft./gal.	Microfiber Mop, Soft Nylon Brush or 3M 5100 Red pad or equal
Heavy Soil and Restorative Cleaning Uncoated Surfaces	E-Cleaner E-Strip	10 oz./gal. water 16-32 oz./gal. water	2,000 sq. ft./gal. 1,200 sq. ft./gal.	3M 7100 Brown or 7200 Black stripper pad or equal. (DO NOT USE a High Productivity pad)

1. Cleaning – UNCOATED ECOsurfaces

A. Initial Cleaning

1. Remove all surface soil, debris, sand, and grit by sweeping, dust mopping, or vacuuming.
2. Scrub floor with E-Cleaner, using a Microfiber mop or a Soft Nylon Brush or 3M 5100 Red pad or equal on a low-speed scrubber or auto scrubber over uncoated ECOsurfaces.
3. Pick up solution with a wet vacuum, rinse with clean water, and allow to dry thoroughly (6-8 hours).

B. Optional E-Finish Floor Finish

1. Maintain temperature at 65° F for 72 hours before and after application.
2. Apply 2-3 thin coats with microfiber mop and let thoroughly dry between coats (1-2 hours).
3. Provide sufficient cure time of the final coat before allowing foot traffic (at least 3 hours).

Note: FLOORS TREATED WITH E-Finish - When cleaning floors finished with E-Finish, use only a Microfiber Mop, Soft Nylon Brush, or White or Beige pad.

C. Daily/Regular Cleaning

1. Sweep, dust mop, or vacuum floor to remove surface soil, debris, sand, and grit.
2. Scrub floor with E-Cleaner, using a Microfiber mop or a Soft Nylon Brush or 3M 5100 Red pad or equal on a low-speed scrubber or auto scrubber over uncoated ECOsurfaces.

D. Heavy Soil

1. Hard-to-clean and greasy areas may require a higher concentration of E-Cleaner or E-Strip or may even require a Restorative Maintenance.

E. Restorative Maintenance

Stripping the finish is not needed until there is a noticeable accumulation of dirt and contaminants embedded in the finish. Normally this accumulation occurs in hard-to-reach and high traffic areas. Following a good maintenance program will result in little build-up, increasing the time between stripping.

1. Sweep or vacuum to remove loose soil.
2. Heavy scrub using a rotary scrubber or automatic scrubber with an approved pad and E-Strip stripper solution.
3. Pick up solution with wet vac.
4. Rinse with clean water.
5. Allow floor to thoroughly dry.
6. If desired, apply E-Finish per instructions above (Optional E-Finish Floor Finish) or LOBADUR® 2K InvisibleProtect Coating Application Instructions below

IMPORTANT MAINTENANCE TIPS

- Wait for floor to dry thoroughly before applying floor finishes, usually 24 hours.
- Apply only thin coats of floor finishes and only with a microfiber mop.
- For gum, use any generic gum remover. However, any solvent-based product should be rinsed well with water to avoid damaging the floor. Gum remover will also remove finish.
- Avoid flooding the floor.

2. Cleaning – ECOguard-Coated ECOsurfaces

Steps	Products	Dilute	Tools
Initial Cleaning	E-Cleaner	10 oz. / Gal Water	Microfiber Mop, Soft Nylon Brush, White or Beige pad
Daily/Weekly Cleaning	E-Cleaner	2-4 oz. / Gal Water	Microfiber Mop, Soft Nylon Brush, White or Beige pad
Heavy Soil	E-Cleaner	10 oz. / Gal Water	Microfiber Mop, Soft Nylon Brush, White or Beige pad
Stripping	E-Strip	16-32 oz / Gal Water	Black Pad

A. Initial Cleaning

Note: Adhesive should have 24 hours minimum to cure before cleaning the floor.

1. Remove all surface soil, debris, sand, and grit by sweeping or vacuuming.
2. Scrub with E-Cleaner and a low-speed scrubber or auto scrubber with a soft nylon brush or pads from table above. If soil is minimal, a microfiber mop may be used.
3. Wet vac, damp mop and allow floor to dry.

B. Optional E-Finish Floor Finish

1. Maintain temperature at 65° F for 72 hours before and after application.
2. Apply 2-3 thin coats with microfiber mop and let thoroughly dry between coats (1-2 hours).
3. Provide sufficient cure time of the final coat before allowing foot traffic (at least 3 hours).

Note: FLOORS TREATED WITH E-Finish - When cleaning floors finished with E-Finish, use only a Microfiber Mop, Soft Nylon Brush, or White or Beige pad.

C. Daily/Weekly Cleaning

1. Remove all surface soil, debris, sand, and grit by sweeping or vacuuming.
2. Scrub with E-Cleaner and a low-speed scrubber or auto scrubber with a soft nylon brush or pads from table above. For heavier scuff marks, consider using a nylon deck brush.
3. Wet vac, damp mop and allow floor to dry.

D. Heavy Soil Cleaning

1. Remove all surface soil, debris, sand, and grit by sweeping or vacuuming.
2. Scrub floor with E-Cleaner with a soft nylon brush or pads from table above, following dilution schedule above.
3. Wet vac, damp mop floor and allow floor to dry.

Note: If area is too small for a buffer or auto scrubber, a nylon deck brush may be used to remove scuff marks or heavy soil.

E. Stripping ECOguard

1. ECOguard is difficult to completely remove and may require several attempts with the approved stripping pad and E-Strip. Anything used to chemically remove the sealer will jeopardize the integrity of the rubber.
2. Use 16 to 32 oz. E-Strip / gallon cold water & low-speed buffer and black stripping pad.
3. Apply a liberal amount of diluted stripper to floor and allow to sit for 5-10 minutes. Work buffer from side to side until sealer is removed. This may require several attempts and effectiveness will be influenced by unevenness in the substrate.
4. **CAUTION – A standard black pad** should be the most aggressive pad used. **DO NOT USE high-performance black pads such as 3M's 7300 series or floor damage may result.** ECOsurfaces assumes no liability in the event of damage to the rubber in the removal process. ECOguard is considered a permanent sealer and not intended to be stripped from the rubber as a standard procedure.
3. To re-apply sealer, see E-Finish (above) or LOBADUR® 2K InvisibleProtect below.

CAUTION – A “standard” black pad should be the most aggressive pad used ***and only for restorative maintenance purposes***. A High Productivity Black pad such as 3M's 7300 is not to be used; it will act as a sander and damage the rubber. ECOsurfaces assumes no liability in the event of damage to the rubber in the removal process.

Note: If area is too small for a buffer or auto scrubber, a nylon deck brush may be used to remove scuff marks or heavy soil.

3. LOBADUR® 2K InvisibleProtect

Description

LOBADUR® 2K Invisible Protect is an interior, matte finish, 2-component waterborne coating.

Tools / Materials Required

Safety glasses	Trash bags	LOBATOOL Roller Deluxe 120
Latex or rubber gloves	Rags	
Paint roller tray	Applicator trim pads	

A. LOBADUR® 2K InvisibleProtect surface prep.

1. An improperly prepared surface can act as a bond breaker and result in a project failure. It is important to remove all dirt, grease, wax, oil, paint, or other contaminants before applying the LOBADUR® 2K InvisibleProtect.
2. **Note:** The LOBADUR® 2K InvisibleProtect can be applied over the factory applied ECOguard finish after lightly stripping the ECOguard finish.

B. Precautionary Notes

1. Allow LOBADUR® 2K InvisibleProtect to cure for 24 hours before introducing foot traffic, and for 48 hours before cleaning or placing furniture.
2. If traffic or other activities need to be introduced earlier, protect surface as required.
3. Remove spills and drips immediately from other surfaces.
4. Apply each coat to entire space in one step rather than in sections for best results. Work from one side of room to the other with scrubbing motion and keep a wet edge.
5. Use microfiber pad to apply; use foam pad to cut in and for perimeter.
6. **Do not use string mops or other applicators to apply! The use of mops may result in a poor application and complete removal may be required.**
7. Full cure achieved in 5-7 days; extra coats extend cure time. See “Application” below.

C. Application of LOBADUR® 2K InvisibleProtect

1. Wait until adhesive is fully cured, and floor has been cleaned and it is fully dried.
2. Acclimate the Origins and LOBADUR® 2K InvisibleProtect to room temp. Do not apply at temperatures below 55°F.
3. Shake larger base container well.
4. Pour contents of small, .09 gal can of hardener into larger, base .91 gallon container (ratio of 10:1) and shake to mix. For smaller quantities, use ratio of 10:1 and shake to mix. Pot life: 2 hrs.



5. Apply using LOBATool Roller Deluxe 120 and paint tray. Coverage with LOBATool Roller Deluxe 120 roller is 400-500 sq. ft. / gal.



6. **NOTE: For a generic roller, use a 3/8" short nap microfiber roller. They are prone to under-application, lap lines and roller marks. Ensure enough LOBADUR® 2K InvisibleProtect is on floor for leveling agents to work.**

NOTE: Avoid streaks, puddles, and lap marks. Do not thin. Do not add water.

Note: Maintain adequate ventilation during coating and drying process.

7. Earliest recoating after 4-6 hours. Apply second coat at right angle to first.
8. Clean up immediately with water.
9. Light foot traffic after 24 hours; floor is still susceptible to scuffing / marring. Protect as required.
10. Plasticizer containing materials e.g., rubber furniture pads or chair mats, may lead to discoloration of finish. Use felt furniture pads.

D. Cleaning ECOsurfaces Coated with Field-Applied LOBADUR® 2K InvisibleProtect

Steps	Products	Dilute	Tools
Initial Cleaning	E-Cleaner	10 oz. / Gal Water	Microfiber Mop, Soft Nylon Brush, or Red pad
Daily/Weekly Cleaning	E-Cleaner	2-4 oz. / Gal Water	Microfiber Mop, Soft Nylon Brush, or Red pad
Heavy Soil Cleaning	E-Cleaner	10 oz. / Gal Water	Microfiber Mop, Soft Nylon Brush, Red or Black pad

1. Initial Cleaning

- A. Remove all surface soil, debris, sand, and grit by sweeping or vacuuming.
- B. Scrub with E-Cleaner and scrubber, brush or pads from table above.
- C. Wet vac, damp mop and allow floor to dry.

2. Daily/Weekly Cleaning

- A. Remove all surface soil, debris, sand, and grit by sweeping or vacuuming.
- B. Scrub with E-Cleaner and scrubber, brush or pads from table above.
- C. Wet vac, damp mop and allow floor to dry.

3. Heavy Soil Cleaning

- A. Remove all surface soil, debris, sand, and grit by sweeping or vacuuming.
- B. Scrub floor with E-Cleaner with a soft nylon brush or pads from table above, following dilution schedule above.
- C. Wet vac, damp mop floor and allow floor to dry.

Note: If area is too small for a buffer or auto scrubber, a nylon deck brush may be used to remove scuff marks or heavy soil.

E. Stripping **LOBADUR® 2K InvisibleProtect**

1. LOBADUR® 2K InvisibleProtect is difficult to completely remove and may require several attempts with the approved stripping pad and E-Strip. Anything used to chemically remove the sealer will jeopardize the integrity of the rubber.
2. Use 32 oz. (1 qt.) E-Strip / gallon cold water & low-speed buffer & Black stripping pad.
3. Apply a liberal amount of diluted stripper to floor and allow to sit for 5-10 minutes. Work buffer from side to side until sealer is removed. This may require several attempts and effectiveness will be influenced by unevenness in the substrate.
4. **CAUTION – A standard black pad should be the most aggressive pad used. DO NOT USE high-performance black pads such as 3M's 7300 series or floor damage may result. ECOsurfaces assumes no liability in the event of damage to the rubber in the removal process. LOBADUR® 2K Invisible Protect is considered a permanent sealer and not intended to be stripped from the rubber as a standard procedure.**
5. To re-apply the LOBADUR® 2K InvisibleProtect, please see “Coating Instructions” above.

Warranty

All ECOsurfaces rubber flooring is guaranteed to be free from manufacturing defects on both material and workmanship. If such a defect is discovered, the customer must notify ECOsurfaces either through the contracting installer, distributor, or directly. If found to be defective within five years under normal non-abusive conditions, at the discretion of ECOsurfaces, the sole remedy against the seller will be to repair, to replace, or to issue a credit not exceeding the selling price of the defective goods.

ECOsurfaces warranty shall not cover dissatisfaction due to improper installation, normal wear or quality of installation expected from the use or environment of installation, damage from improper maintenance or usage, or general misuse, including and without limitation: burns, cuts, tears, scratches, scuffs, damage from rolling loads, damage from cleaning products not recommended by ECOsurfaces, slight shade variations or shade variations due to exposure to direct sunlight, or differences in color between samples or photographs and actual flooring.

Excluded from Warranty – ECOsurfaces warranty does not apply to the following.

1. The exact matching of shade, color, or mottling.
2. Any express or implied promise made by any salesman or representative.
3. Tears, burns, cuts, or damage due to improper installation, improper use, or improper cleaning agents or maintenance methods.
4. Wear from chairs or other furniture without proper floor protectors will void the warranty. Care should be taken to protect the flooring from damage by using good quality protective feet for chairs, tables, and other furniture. Chair mats may be required under chairs with casters/wheels.
5. Labor costs for installation of original or replacement material.
6. Sale of "seconds," "off goods," or other irregular (non-first quality) flooring materials. With respect to "seconds" or "off goods," such are sold "as is," and ECOsurfaces makes no warranties whatsoever, express or implied with respect thereto, including warranties of merchantability or fitness for a particular purpose.
7. Problems caused by moisture, hydrostatic pressure, or alkali in the sub-floor.
8. Problems caused by uses, maintenance, and installation that are contrary to ECOsurfaces specifications, recommendations, or instructions.
9. Material installed with obvious defects.
10. Damage to flooring products from high heels or spike heels.
11. Damage to flooring products from rubber mats, rubber backed mats, or car tires.
12. Installation of ECOsurfaces products with adhesives other than those recommended by ECOsurfaces
13. Fading and/or discoloration resulting from heavy sunlight penetration and ultraviolet ray exposure from direct or glass-filtered sunlight.
14. Material that is not installed and maintained as recommended by ECOsurfaces.
15. Damage to flooring products from pallet jack and tow-motor traffic.
16. Environments where the product will be exposed to animal fats, vegetable oils, grease, or petroleum-based materials. (i.e.: commercial kitchens or auto repair facilities)
17. Premature wear and deterioration from spikes and skate blade exposure.
18. Differences in color between products and photography.
19. Embossing/density deviations between product and samples, photography.

These warranties are in lieu of any other warranty expressed or implied. ECOsurfaces shall not be liable for any incidental or consequential damages which may result from a defect. Some states do not allow the exclusion or limitation of incidental or consequential damages, so the above limitation or exclusion may not apply to you. These warranties give you specific rights, and you may also have rights which may vary from state to state. To know what your legal rights are in your state, consult your local or state Consumer Affairs Office or your State Attorney General. Please visit www.ecosurfaces.com for the latest warranty information.



833-888-1760

www.ecosurfaces.com

Manufactured in the U.S.A.

©2022 All designs and colors are copyrighted by ECOsurfaces